



DATA SHEET FOR FLP FIRE ALARM (DIRECT ENTRY)

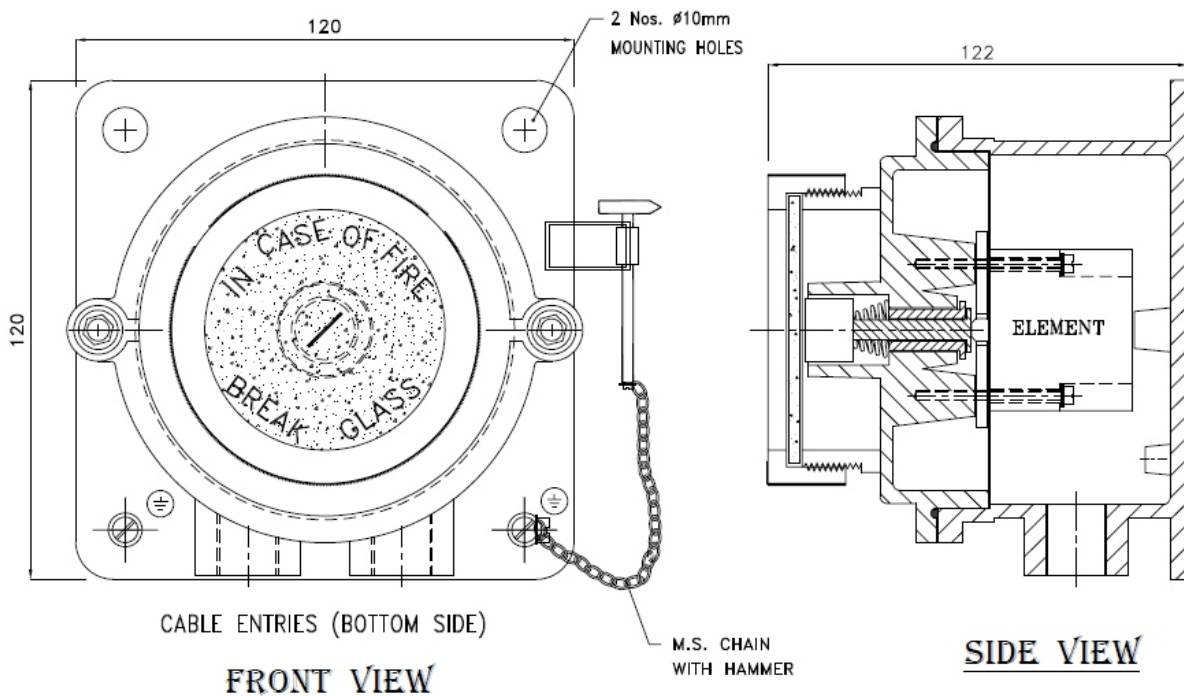
TECHNICAL DATA:

PRODUCT	: CAT NO: FA / 2C / 2025
ENCLOSURE	: FLAME PROOF (Ex -d), Gas Group IIA , IIB , IIC As per IS/IEC 60079-1 : 2014
PROTECTION	: WEATHER PROOF IP – 66 AS PER IS/IEC 60529:2001 (Reaffirmed 2014)
AREA & TEMP. CLASS	: Ex db IIC T6 Gb (EX tb/tc IIIC T85 C Db/Dc (ZONE 1 & 2 & Zone 21 & 22)
CERTIFICATION	: CIMFR, BIS, PESO
TEMPERATURE CLASS	: T6
MATERIAL	: DIE CAST ALUMINIUM ALLOY
FINISH	: EPOXY POWDER COATED SHADE AS PER IS : 5
EARTHING	: 1 No INTERNAL & 2 No's EXTERNAL
HARDWARE	: STAINLESS STEEL
GASKET	: 'O' RING ENDLESS GASKET NEOPRENE / SILICON
NAME PLATE	: SS NAME PLATE CUM WARNING PLATE
ACTUATOR	: RED COLOUR SPRING RETURN ACTUATOR
ELEMENT	: 1 NO 10 A , 415 V AC 1 NO + 1 NC ELEMENT
GLASS	: 1 NO 2 MM THICK BREAKABLE GLASS
HAMMER	: STAINLESS STEEL HAMMER (FOR BREAKING GLASS) WITH CHAIN
ENTRIES	: 2 Nos M20 / ½ " NPT / EQUIVALENT



OPTIONS

SR.NO	PARTICULAR	OPTIONS
1.	MATERIAL OF CONSTRUCTION	STAINLESS STEEL
2.	GLAND & PLUG	BRASS / SS / ALUMINIUM
3.	COLOUR SHADE	631, 632, 355, 7031, 7032 etc.
4.	ELEMENT	1 NO / 1 NC OR AS PER REQUIREMENT
5.	CANOPY	M.S POWDER COATED / FRP /GI



NOTE : INCASE OF FIRE BREAK THE GLASS.